



SCOTT 2010 BIKE OWNERS MANUAL

SAG-BOY

The lengths of the grey beam shows the optimum eye-to-eye distance of the rear shock.

Der graue Balken zeigt den optimalen Bolzenabstand des Dämpfers.

La longueur de la barre grise représente l'écart optimal entre les points de fixation de l'amortisseur

W GENIUS





The Genius should be adjusted exactly to the current rider for reaching maximum safety and fun while riding.

All adjustments should be done at the local Scott dealer or according to this manual.

CONTENT

> Genius Concept	p. 02
> Geometry/Technical Data Genius	p. 03
> Equalizer 2 Shock Technology	p. 04
> Equalizer 2 Shock and TRAC-LOC 2 Remote Control Lever	p. 06
> Basic Set-Up of the TRAC-LOC 2 Remote Control	p. 07
> Recommended Tools for the Shock Set-Up	p. 11
> Set-Up Genius with Equalizer 2 Shock	p. 11
> Set-Up of Rebound Equalizer 2 Shock	p. 12
> Set-Up of other Shock Models	p. 14
> Scott Smart Cable Routing	p. 14
> Cable housing length	p. 15
> Adjustment of Seatpost-Height	p. 15
> Replaceable Drop Out	p. 16
> Front Derailleur Fixation	p. 16
> Front Fork Set-Up/ Change of Front Fork	p. 17
> Pivot Maintenance	p. 17
> Warranty	p. 18



GENIUS CONCEPT

Genius is the result of 2 years of research and development for the lightest mountain bike frame set available on the market to be used for marathon, trail and long distance riding, hitting the scale at below 2250 grams including the frame, Scott/DT Equalizer 2 shock.

Scott's focus was not only on lightweight but also on a durable frame with an innovative suspension technology in combination with an optimized kinematics of the rear swingarm.

The combination of an optimized kinematics with an extraordinary suspension technology closes the gap between superlight dual-suspension bikes (e.g. Scott Spark) and the new generation of all mountain bikes (e.g. Scott Ransom).

Genius was designed for riders looking for a dual suspended marathon and tour/long distance bike offering a maximum rear wheel travel of 150mm.

Scott does not see frame, rear shock and kinematics as single components which are assembled together on a bike, but as a concept with all these components working together and offering an outrageous function by matching perfectly.

The Scott system, named TC (Traction Control) will allow you to reduce by remote control the rear wheel travel from 150mm to 95mm including a more progressive spring rate but still offering a supple break away.

No power will be lost and an optimum power transfer is guaranteed as the swingarm, in contrary to locked or automatic-locking systems, can follow the trail surface and will offer perfect traction and higher speed while standing on the pedals.

GEOMETRY/ TECHNICAL DATA GENIUS

Geometry/ Technical Data Genius Carbon:

Size	Headangle	HT Length	TT Horiz.	Seatangle	Top ST	CST Length	BB OS
S	68.3°	100	555	73.5°	440	428	10
M	68.5°	115	585	73.5°	450	428	10
L	68.7°	135	610	73.5°	475	428	10
XL	68.9°	160	640	73.5°	500	428	10

Geometry/ Technical Data Genius Alloy:

Size	Headangle	HT Length	TT Horiz.	Seatangle	Top ST	CST Length	BB OS
S	68.5°	110	555	73.5°	440	428	10
M	68.5°	120	585	73.5°	450	428	10
L	68.5°	135	610	73.5°	475	428	10
XL	68.5°	160	640	73.5°	500	428	10

Travel	150/95/0mm
Suspension Ratio	3
Piston stroke	50mm
Shock (Eye to Eye)	165mm
Hardware Mainframe	14mm x 6mm
Hardware Swingarm	14mm x 6mm
Seatpost diameter	34,9mm
Headset	1 1/8" semi integr. with 44.0mm cups
Fork travel	140 - 150mm
Fork length	518 - 525mm
BB housing	73mm
Front derailleur	E-type, direct mount, down pull
Bearings	61900-2RS (Ø22xØ10x6) / 61800-2RS (Ø19xØ10x5)



SHOCK-TECHNOLOGY

The heart of the TC-System is the new developed and innovative Scott Equalizer 2 Shock made by DT Swiss, offering three functions which make this system possible.

By using the TRAC-LOC 2 remote lever you can choose following functions:

1. ALL TRAVEL MODE: full travel of 150mm
2. TRACTION MODE: by reducing the internal chamber volume inside the shock the travel of the shock will be reduced to around 60% (approx. 95mm) the characteristic of the air spring gets harder. This results in climbing without "bobbing" and offers still optimum traction of the rear wheel.
3. LOCK OUT MODE: the shock is locked; climbing on asphalt roads is now possible without any power loss. Simultaneous a blow-off-system prevents the shock being damaged in case the rider did not open the system while crossing obstacles.

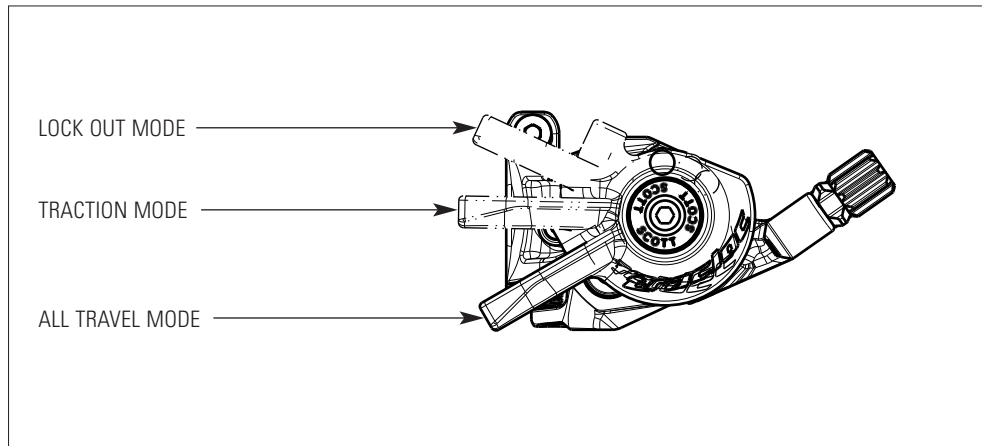
You will find the following positions on the remote lever:

Please note that you can only assemble the TRAC-LOC 2 remote lever in "left side upward position" on the handlebar.

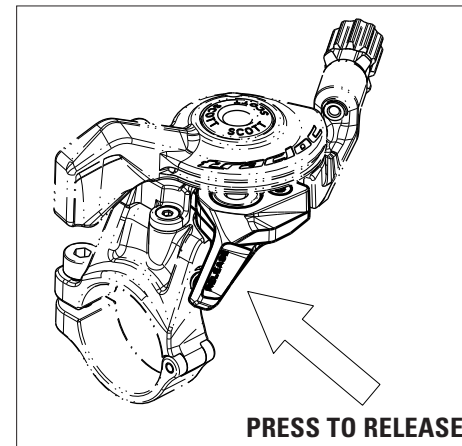
You have 3 positions of the TRAC-LOC 2 remote lever.

- most forward position: LOCK OUT
- middle position: TRACTION MODE
- most backward position: ALL TRAVEL MODE

Change the modes by pushing the lever with your fingers frontward and release them by tapping the release button (one mode per push/release)

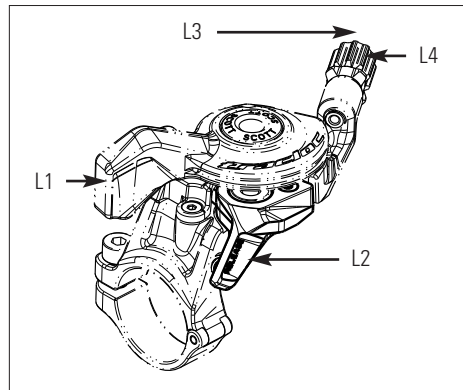
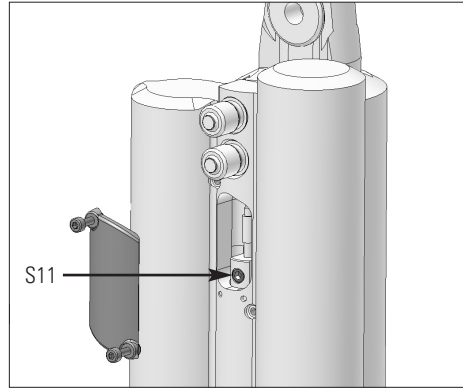
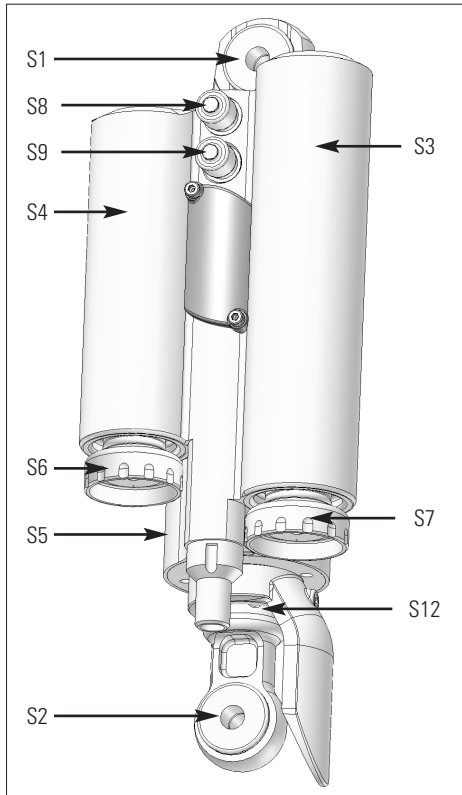


TRAC-LOC remote lever



EQUALIZER 2 SHOCK AND TRAC-LOC 2 REMOTE CONTROL LEVER

In the drawing of the shock and remote lever, shown below, you will see the parts indicated with numbers which will be used in the manual for the adjustment and set-up.



S1	Top eyelet/ Shock Bolt	L1	Remote Lever
S2	Down eyelet/ Shock Bolt	L2	Release Button
S3	Traction Mode Chamber	L3	Remote Control Cable
S4	Full Mode Chamber	L4	Cable Tension Screw
S5	Shock Housing		
S6	Rebound- Screw		
S7	Rebound- Screw		
S8	Positive Chamber Valve		
S9	Negative Chamber Valve		
S10	Remote Control Cable		
S11	Cable fixing Screw (hidden behind dust protector plate)		
S12	Shock Piston		

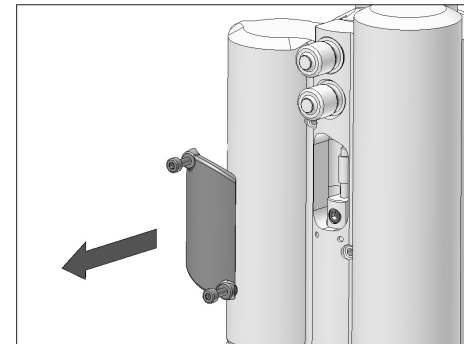
BASIC SET-UP OF THE TRAC-LOC 2 REMOTE CONTROL OF EQUALIZER 2 SHOCK

To ensure perfect function of the Equalizer 2 shock it is very important to follow the steps shown below exactly.

Please note that the following explanation shows a complete exchange/replacement of the cable, so in case you just want to double check e.g. the cable tension please see only steps 1, 7, 8 and 9.



Important: for all following actions the Tracloc lever needs to be in "ALL TRAVEL-MODE" position!

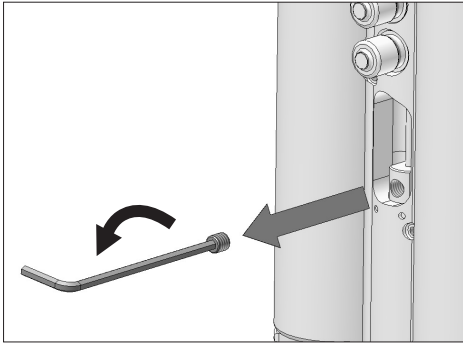


- 1 remove the cap of the cable housing window on the shock by turning the screws counter clockwise using a 1.5 mm allen key

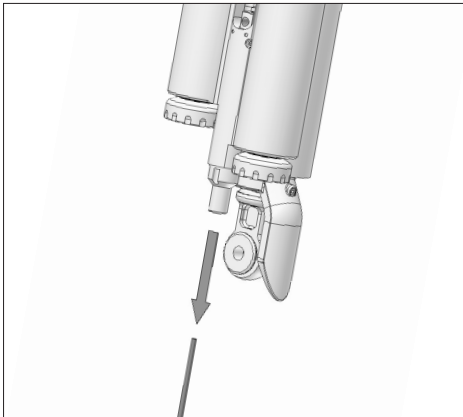


- 2 remove the end cap of the cable with pliers

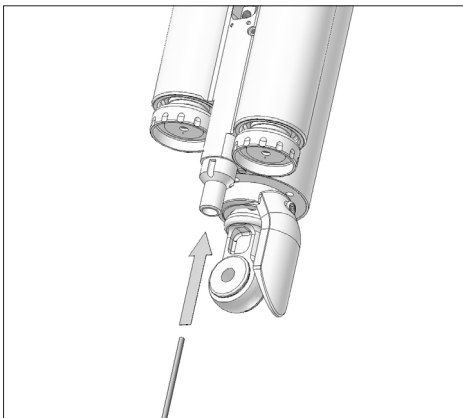




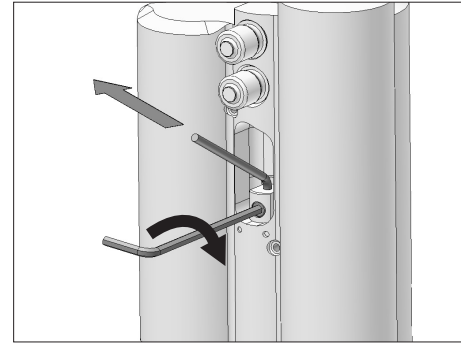
- 3 loosen the cable fixing screw (S10) by turning it counter-clockwise with a 2.0 mm allen key



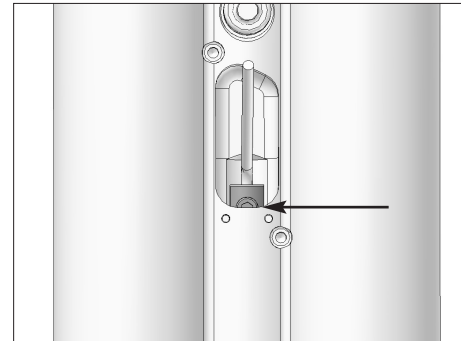
- 4 remove the old cable by pushing/pulling it out from the Tracloc lever



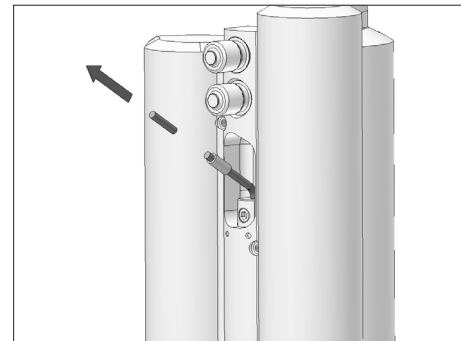
- 5 insert a new cable via lever hole and cable housing and push it into the shock as shown



- 6 tighten the cable and fix the cable fixing screw (S10) by turning it clockwise with a 2.0 mm allen key and a max. tightening torque of 1.6 Nm



- 7 to double check accurate cable tension please push the Tracloc lever to "TRACTION-MODE". The mid of the cable fixing screw (S10) should be at the edge of the lower cable housing window on the shock. For fine-tuning please adjust the cable tension via the barrel adjuster (L4) on the Tracloc lever.



- 8 push the "open-ended" cable cap on the cable until it touches the cable sled, fix it by squeezing it with pliers and cut the cable just above the cap





- 9 remount the cap of the cable housing window on the shock by turning them clockwise using a 1.5 mm allen key and a maximum tightening torque of **0.3 Nm**



Important:

Please note that the maximum pressure of the Equalizer 2 shock is 28.0bars/406psi in the positive chamber and 22.4bars/325psi in the negative chamber and which means a maximum weight of the rider of 110kg/243lbs incl. riding gear and load.

RECOMMENDED TOOLS FOR THE SHOCK SET-UP

For the set-up of the shock we recommend to use a shock pump with a scale up to 40 bars/600 psi with a special air valve connector preventing from air getting away while removing the pump from the shock valve, this will result in an exact air pressure.

Please note that air will flow into the hose and indicator when counterchecking the air pressure, so you have to set up again the recommended pressure after this action.

Make sure to balance at least this air loss when you make a check of the air pressure of the shock. Pls also note that the indicators of shock pumps have a tolerance of max. 10%

Kg	Lb	Bar/Psi	Bar/Psi
RIDER WEIGHT			
40	88	12.8 186	16 232
45	99	13.6 197	17 247
50	110	14.4 209	18 261
55	121	15.2 221	19 276
60	132	16.0 232	20 290
65	143	16.8 244	21 305
70	154	17.6 255	22 319
75	165	18.4 267	23 334
80	176	19.2 279	24 348
85	187	20.0 290	25 363
90	198	20.8 302	26 377
95	209	21.6 313	27 392

table on shock body showing the recommended air pressure

SET-UP GENIUS WITH EQUALIZER 2 SHOCK

The Set-Up of the Scott/DT Equalizer 2 Shock can be easy done within a few minutes..

To adjust the air pressure of the air chamber of the Scott Equalizer 2 Shock please refer to the following instruction:



1. remove the valve cap of the positive valve (S8) which is the UPPER valve on the shock body and mount the shock pump with its adaptor on the valve.

2. pump the recommended pressure into the shock. On the shock body you will find a table showing the recommended air pressure of the positive chamber according to the rider's weight.

3. when you reached the needed pressure remove the pump and put the valve cap on the valve



4. remove the valve cap of the negative valve (S9) which is the LOWER valve on the shock body and mount the shock pump with its adaptor on the valve

5. pump the recommended pressure into the shock. On the shock body you will find a table showing the recommended air pressure of the negative chamber according to the rider's weight.

6. when you reached the needed pressure remove the pump and put the valve cap on the valve

SET-UP OF REBOUND EQUALIZER 2 SHOCK

The SAG should be 12.5mm on the shock piston, which means approx. 25% SAG in Full Travel Position

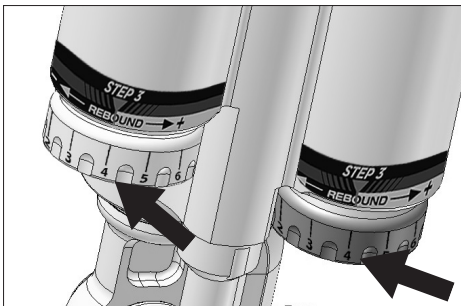
To check the adjustment, please follow as shown below:

1. sit on the bike, put your feet on the pedal
3. check if the eye-to-eye distance of the shock bolts corresponds with the length of the grey colored beam of the SAG-Boy on the backside of the cover of this manual
 - if the distance between the bolts matches with the SAG-Boy, the air pressure is matching to your weight
 - if the distance between the bolts is shorter than the SAG-Boy, the air pressure of the positive air chamber is too high and should be carefully reduced by using the bleed knob of the shock pump until the distance matches with the SAG-Boy.
 - if the distance between the bolts is longer than the SAG-Boy, the air pressure of the positive air chamber is too low the air pressure of the positive air chamber is too low and should be increased by using the shock pump until the distance matches with the SAG-Boy.



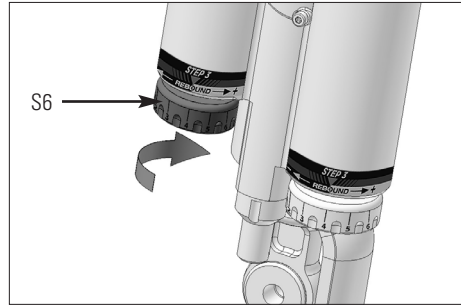
Important:

Please make sure that both rebound wheels show the same number below the arrow on the shock body.

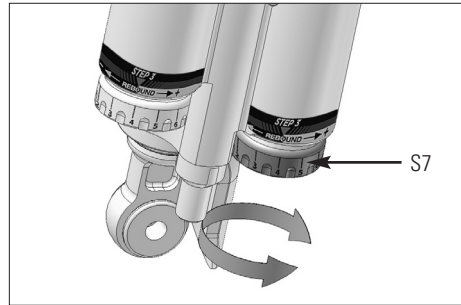


“Rebound” describes the speed the shock comes back to its original length after absorbing an obstacle.

To adjust the rebound of the Equalizer 2 please follow the steps mentioned below:



By using the red rebound screws (S6 & S7) on the downside of the Air Chambers you can adjust the rebound step by step.

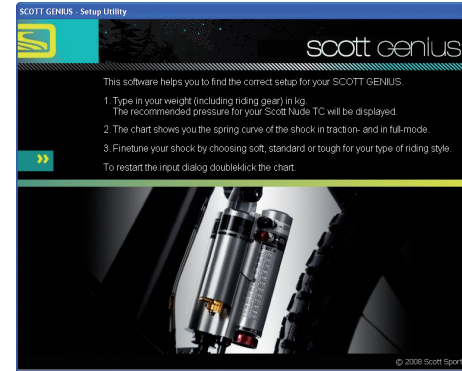


Please refer to the following instruction:

Ride your bike off a pavement (remain in the saddle) and check how many times it bounces.

- if it bounces 1-2 times, the set up is good.
- If it bounces more than 3 times the rebound is too fast. Turn both screws 1-2 “clicks” clockwise
- If it does not bounce the rebound is too slow. Turn both screws 1-2 “clicks” counter clockwise.

In case you want even more detailed figures of air pressure or tuning hints, you can download a program under www.scott-sports.com as a MS Excel file.



Important:

Note that you have to mount the Scott Equalizer 2 Shock always as shown beneath.

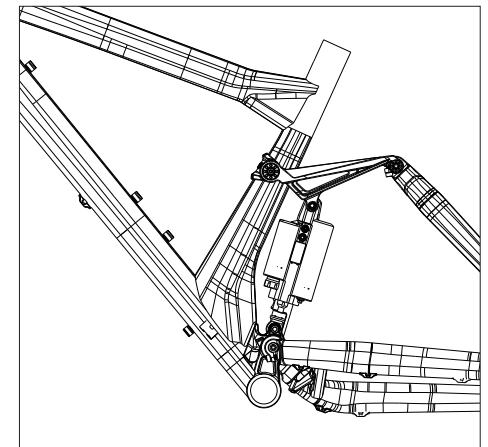
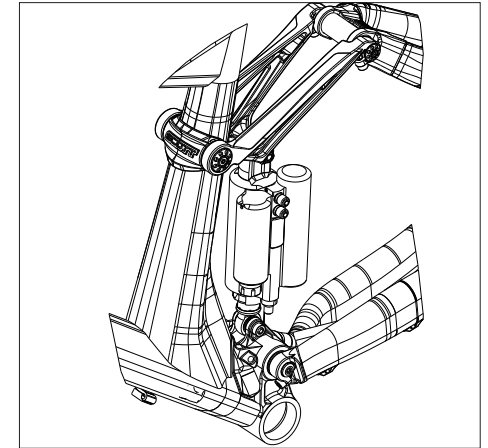
Mounting the rear shock in a different position can cause severe damages to the frame, the linkage levers and the rear shock.



Important:

After a dismantlement of the rear shock, both fixing bolts should be tightened with a tightening torque of 5Nm/44in-lbs.

If this is not done correctly the rear shock can be damaged.



SET-UP OF OTHER SHOCK MODELS:

Scott strongly recommends using only the Scott Equalizer 2 Shock with the Genius bike, as we designed both parts for a perfect matching combination with a linear suspension rate.

If you want to use a different rear shock model than the one originally on the bike, please make sure that the shock will not in any position hit the frame and cause a damage to the frame.

Please follow the instruction below:

Please make sure that the rear shock or its accessory parts do not touch the frame when mounting or suspending.

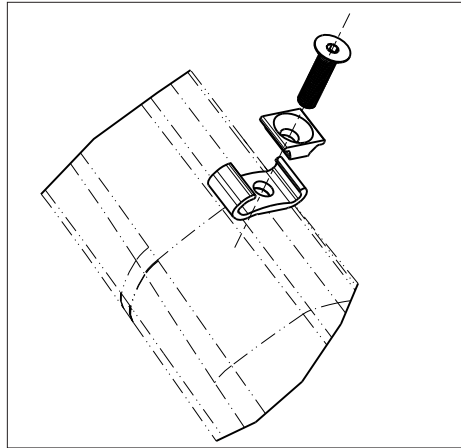
For doing so release the air/remove the coil, install the shock and extend the shock completely.

If the shock touches the frame while doing so, do not use this shock in order to avoid damage to frame, swingarm or shock.

SCOTT SMART CABLE ROUTING:

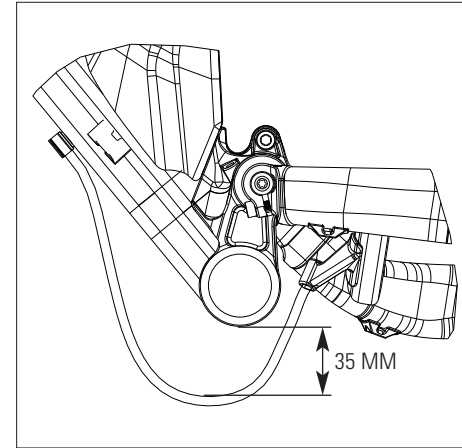
The direct and straight cable system on all our full suspension models allows Smart Cable Routing which is very resistant against water and dirt.

To change the cables simply unscrew and open the cable brackets on the downtube.



CABLE HOUSING LENGTH:

In order to avoid damages on the frame/derailleur and/or "ghost-shifting" which could result in dangerous riding please note that under the BB housing the distance between the cable housing and the BB shell should be minimum 35mm.



ADJUSTMENT OF SEATPOST-HEIGHT:

Important:

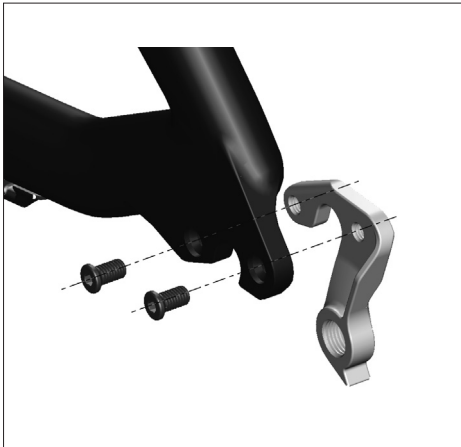
The seatpost has to be inserted into the seattube at a minimum of 100mm.

Never use another seatpost diameter than 34.9mm or try to use a shim/reducer between seatpost and frame.



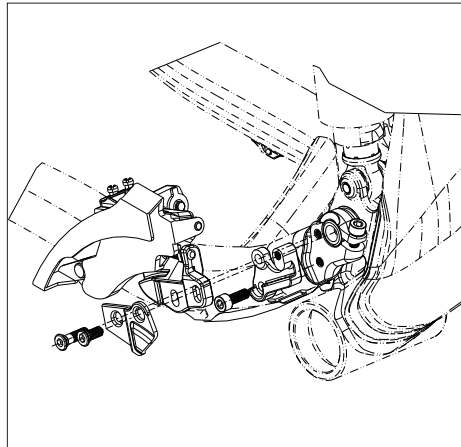
REPLACEABLE DROPOUT

On Genius bikes you can replace the rear derailleur hanger. In case the replaceable hanger is damaged by a crash or accident you can order at your local Scott dealer the replacement part with Scott article number 206473



FRONT DERAILLEUR FIXATION

On Genius you will find an E-type front derailleur but fixed directly on the swingarm without the plate that is fixed normally between the bottom bracket bearing cup and the bottom bracket housing of the front triangle.



FRONT FORK SET-UP/ CHANGE OF FRONT FORK:

For the set up of the front fork please use the fork specific manual attached to the bike.

We recommend using front forks with a travel of 140 - 150mm (518 - 525mm from mid of axle - top of crown), as this will not influence the geometry and alter handling of the bike.

PIVOT MAINTENANCE:

The pivot and bearings on SCOTT Genius are extremely easy to maintain.

An external treatment with a grease spray after every bike wash is all you have to do. We do not recommend heavy grease sprays since these will leave a film on the parts which is difficult to remove. We recommend the same for the chain also.

If you have to change the bearings you can order them included in a service kit at your local SCOTT dealer or buy them with international parts number as shown above in the specs list in a hardware store.

In case of a change of the bearings or of the rear swing-arm you should contact your local SCOTT dealer as you need special tools for disassembly and assembly.



WARRANTY

Model _____

Year _____

Size _____

Frame # _____

Shock # _____

WARRANTY

SCOTT bikes are made using the most innovative production and quality methods. They are equipped with best components of well known parts suppliers.

Doing so SCOTT warrants its frames and swingarms for five years (subject to compliance with maintenance ranges, see below) and SCOTT forks (provided it is a fork of SCOTT) for two years for defects in material and/or workmanship in case of purchase of completely assembled bikes.

This warranty of 5 years for the frames shall only be granted in case once a year a maintenance service has been effected according to maintenance requirements as set forth in this manual by an authorised SCOTT dealer.

The authorised SCOTT dealer shall confirm the effected annual maintenance service by stamp and signature.

In case such an annual maintenance service has not been effected the warranty of 5 years for the frame shall be reduced to 3 years.

Costs for maintenance and service have to be born by the owner of the SCOTT bike.

On Gambler the warranty period is limited to 2 years.

The warranty period starts at the day of purchase.

This warranty is limited to the first buyer, what means the first person who uses the bike and only with the use it was made for. Furthermore, this warranty is limited to purchases via authorized SCOTT-dealers to the exclusion of purchases via internet auctions.

In case of a warranty claim the decision to repair or to replace the defective part is up to SCOTT. Non defective parts will only be replaced at the guarantee's own expense.

Fair wear and tear is not covered by the warranty. A complete list of all parts of wear and tear can be found in the next chapter of this manual.

In addition, you will find at the end of this manual a protocol for the handing over of the bike which will remain in copy at the SCOTT dealer after acceptance and signature of the consumer.

It is obligatory to show this protocol of handing over together with the defective part in case of a warranty claim given that it provides evidence of purchase. Otherwise no warranty is granted.

In principle, this warranty is granted worldwide. Claims must be made through an authorized dealer, for information regarding the nearest dealer, write or call this company or the national SCOTT distributor.

Normal wear, accident, neglect, abuse, improper assembly, improper maintenance by other than an authorized dealer or use of parts or devices not consistent with the use originally intended for the bicycle as sold are not covered by this warranty.

Hereby SCOTT grants a voluntarily manufacturer's warranty. Additional entitlements according to national warrant of merchantability are reserved.

For warranty info on the Equalizer 2 shock please refer to the attached manual of DT Swiss.

