



SCOTT 2010 BIKE OWNERS MANUAL



SCOTT SPORTS SA, 17 RTE DU CROCHET, 1762 GIVISIEZ, SWITZERLAND, © 2009 SCOTT SPORTS SA, ALL RIGHTS RESERVED, SCOTT-SPORTS.COM

Y TWINLOC



TWINLOC – REMOTE CONTROL LEVER

The TWINLOC remote control lever is the evolution of the already outstanding TRACLOC system of Scott.

While TRACLOC allows the change on the Scott rear shocks Nude TC and Equalizer 2 between the Scott patented Lock-out, traction and full-mode on the fly from the handlebar, the TWINLOC now allows also the remote control of the front fork to shift between lock-out and open mode at the same time when you change the modes on the Scott rear shox.

The 3 modes on the lever and suspension units are:

- **Full Travel Mode:**
full travel rear, full travel front
- **Traction Mode:**
traction mode rear, full travel front
- **Lock-out Mode :**
lock-out rear, lock-out front

Therefore Scott offers 3 different TWINLOC levers with following fork/rear shock combinations:

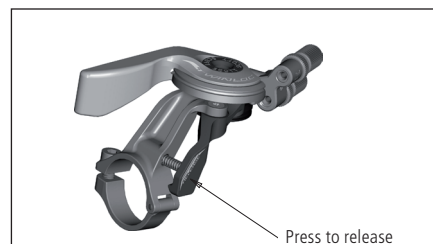
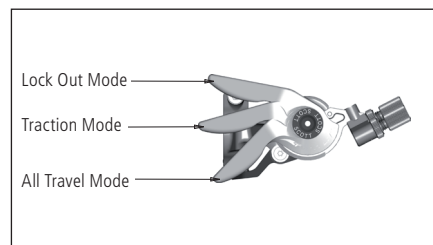
- **Equalizer 2** with adapters for SRAM /Rock-Shox fork and FOX fork/DT Swiss fork (Scott Article number: 216350)
- **Nude TC** with adapters for SRAM /RockShox fork and FOX fork/DT Swiss fork (Scott Article number: 216351)
- **DT M210** with adapters for SRAM /RockShox fork and FOX fork/DT Swiss fork (Scott Article number: 216352)

Please note that the DT Swiss M210 rear shock does not offer a traction mode, but only lock-out and full-mode.

Important: you can only assemble the TWINLOC remote lever in "left side upward position" on the handlebar.

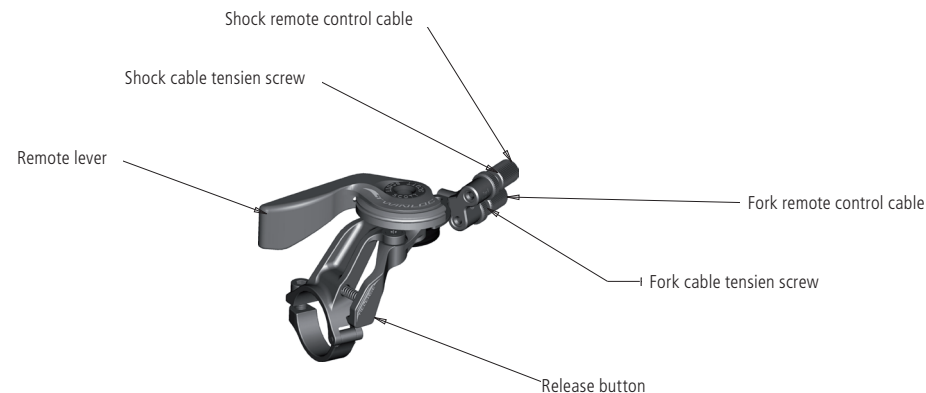
You have 3 positions of the TWINLOC remote lever.

- **most forward position:**
lock-out rear, lock-out front
- **middle position:**
traction mode rear, full travel front
- **most backward position:**
full travel rear, full travel front



Change the modes by pushing the lever with your fingers frontward and release them by tapping the release button (one mode per push/release)

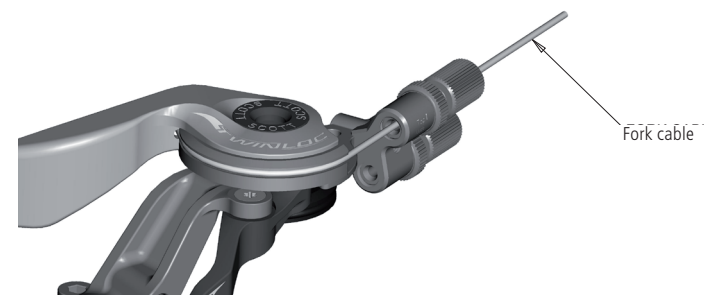
For the different parts of the TWINLOC lever mentioned in the following instruction please refer to the drawing with parts names below:



Regarding the installation and adjustment of the rear shock remote cable please follow the instructions of the different shox attached to your bike.

Please note that the cable for the rear shock is ALWAYS the upper cable on the lever as shown in drawing below. There are 3 different versions for different rear shock models.

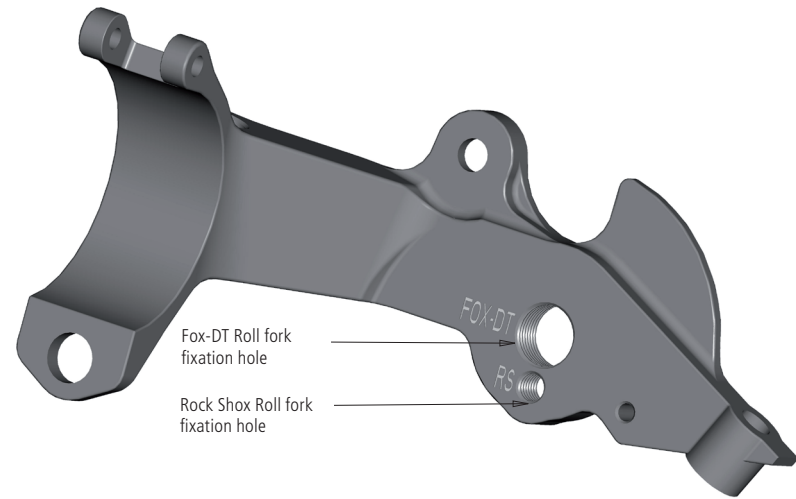
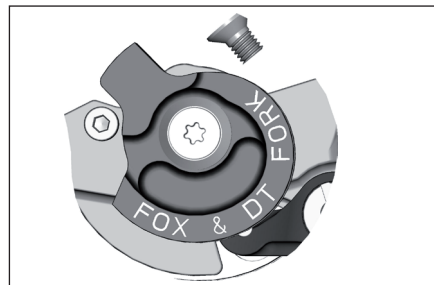
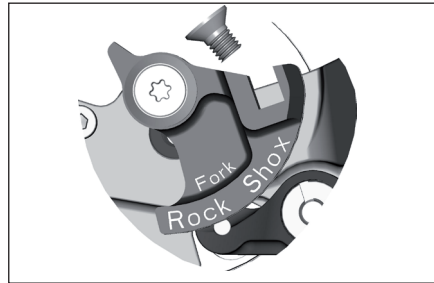
Please make sure that your lever fits to the rear shock of the bike.



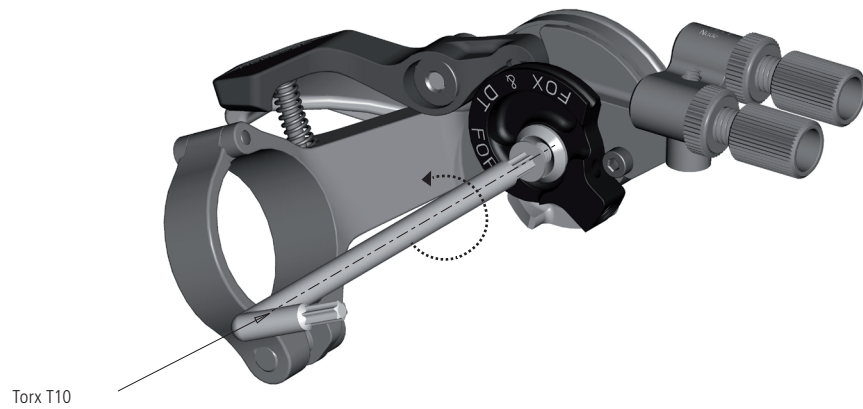
For the assembly of the remote control of the front fork lock-out 2 different cable systems are existing.

The different roll for the pull of the fork remote cable can be changed within few minutes to adapt the lever to your fork model/brand. You will see on the downside of the roll the indication of fork brand.

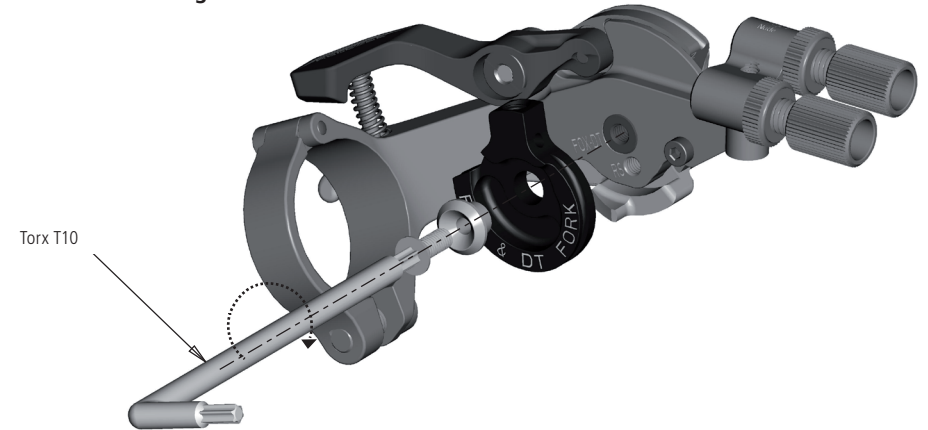
To change the rolls to match another fork brand pls follow the drawings below:
Dwg showing T10 key turning counter-clockwise the mount screw (all related parts in explosion view)



Roll fork unmounting



Roll fork mounting

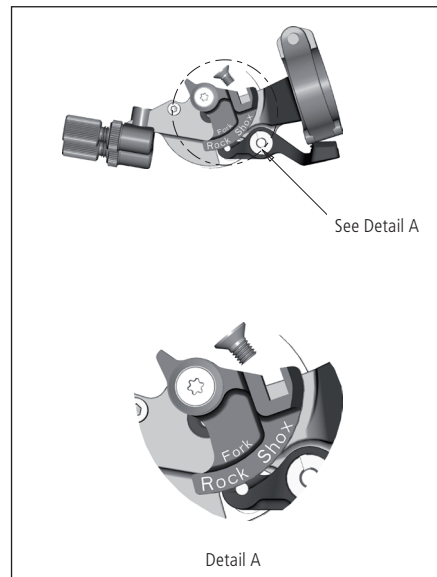


ASSEMBLY OF THE REMOTE CABLE:

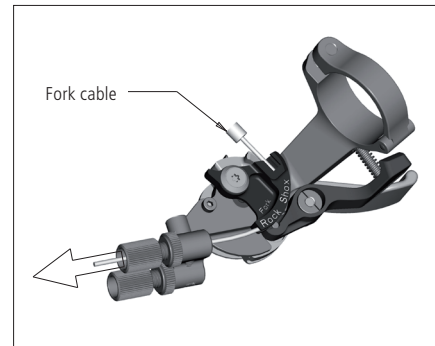
1. SRAM/ROCKSHOX FORKS:

Important: Please make sure the lockout of SRAM/RockShox fork is activated after transport correctly. Therefore please compress fork 5-10 times before following the manual on remote cable installation and adjustment.

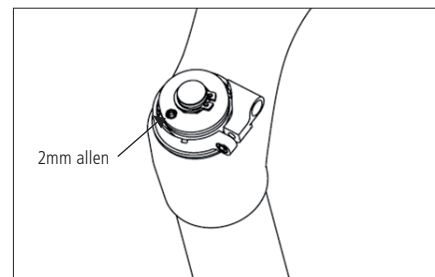
The lever should show on the downside of the cable roll follow indication:



To assemble the cable please bring the lever into the All Travel Mode, push the cable into the lever-eyelet as shown on drawing below, push it through the pre-cut cable housing and fix it at the assembly unit on top of the right side of the fork crown.



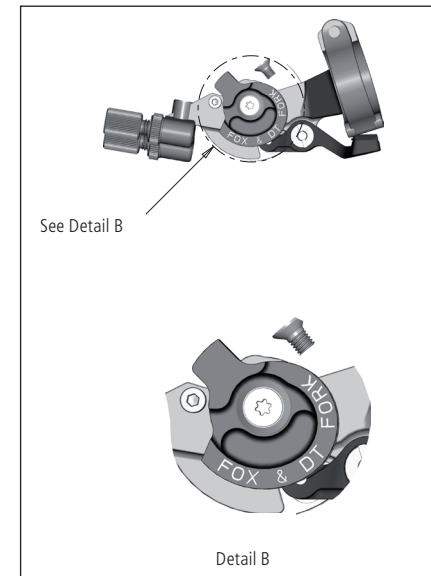
Fix the cable with the 2mm allen screw on the barrel adjuster on the fork crown with a tightening torque of 0.9Nm/ 8lb/in, cut the cable and secure it with a cable end-cap. Please refer for this action also to the manual of SRAM/RockShox attached to the bike.



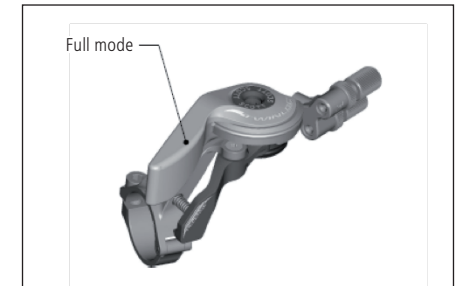
2. FOX-DT SWISS FORKS:

Important: Please make sure the lockout of FOX/DT fork is activated after transport correctly. Therefore please compress fork 5-10 times before following the manual on remote cable installation and adjustment.

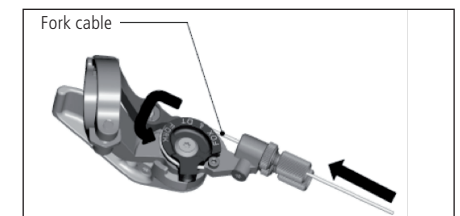
The lever should show on the downside of the cable roll follow indication:



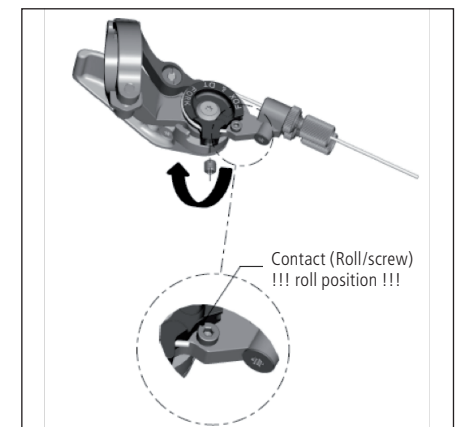
To assemble the cable please bring the lever into the Full (Travel) Mode



push the pre-cut cable through the pre-cut cable housing into the lever as shown on drawing below



and secure the cable by fixing the 2mm allen screw with a tightening torque of 0.9Nm/ 8lb/in as shown on the drawing below on the roll.



Cut the cable 5mm behind the roll and secure it with a cable end-cap.

Please refer for this action also to the manual of FOX or DT Swiss attached to the bike.

In case you need to remove the remote cable completely from the forks of FOX or DT Swiss please follow the instructions of the related fork manuals of the fork manufacturers or contact a fork service center / your local dealer to do so.

TIP:

To check for accurate cable tension, please try to move the plastic end cap of the cable housing at the barrel adjuster on the remote lever. There should be "no-play" between cap and barrel adjuster.

In case of "play" please turn the barrel adjuster clockwise until "no-play".

