



***SCOTT***

---

BIKE

SCOTT ADDICT DISC/GRAVEL/CX  
USER MANUAL 2016

---

INNOVATION  
TECHNOLOGY  
DESIGN

---

**WWW.SCOTT-SPORTS.COM**

All rights reserved © 2016 SCOTT Sports SA

Distribution:  
SSG (Europe) Distribution Center SA, P.E.D. Zone C1, Rue du Kiell 60, 6790 Aubange, Belgium

v6.1/30082016



**WWW.SCOTT-SPORTS.COM**

SCOTT Sports SA  
Route du Crochet 17, CH-1762 Givisiez  
Phone: +41 26 460 16 16 | Fax: +41 26 460 16 00  
Email: [scottsupport@scott-sports.com](mailto:scottsupport@scott-sports.com)

---



---

The Addict Disc/Gravel/CX should be adjusted exactly to the current rider for reaching maximum safety and fun while riding.

All adjustments should be done at your local SCOTT dealer or following this manual's instructions.

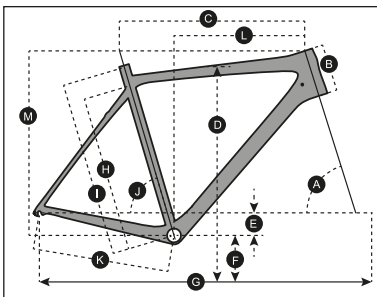
In order to avoid technical problems or any harm please contact in case of doubts your authorized SCOTT dealer.

---

## ▼ CONTENTS

Geometry/Technical Data Addict Disc/Gravel/CX . . . . .	04
General Features. . . . .	05
Headset Options. . . . .	06
Seat Post/Clamp. . . . .	06
BB Standards/FD Mounting Details. . . . .	07
RD Hanger . . . . .	08
Rear Brake Mount . . . . .	08
Axis Standards. . . . .	09
Cable Routing . . . . .	09
Warranty . . . . .	10

## GEOMETRY/TECHNICAL DATA ADDICT DISC/GRAVEL/CX



ADDICT DISC	XXS/47	XS/49	S/52	M/54	L/56	XL/58	XXL/61
A HEAD TUBE ANGLE	70.5°	71.0°	72.0°	72.5°	73.0°	73.3°	73.3°
B HEAD TUBE LENGTH	100.0 mm 3.9 in	105.0 mm 4.1 in	120.0 mm 4.7 in	140.0 mm 5.5 in	160.0 mm 6.3 in	180.0 mm 7.1 in	200.0 mm 7.9 in
C TOP TUBE HORIZONTAL	510.0 mm 20.1 in	520.0 mm 20.5 in	535.0 mm 21.1 in	550.0 mm 21.7 in	565.0 mm 22.2 in	580.0 mm 22.8 in	595.0 mm 23.4 in
D STANDOVER HEIGHT	721.8 mm 28.4 in	734.7 mm 28.9 in	757.4 mm 29.8 in	777.0 mm 30.6 in	796.6 mm 31.4 in	815.9 mm 32.1 in	839.1 mm 33.0 in
E BB OFFSET	-67.0 mm -2.6 in	-67.0 mm -2.6 in	-67.0 mm -2.6 in	-67.0 mm -2.6 in	-67.0 mm -2.6 in	-67.0 mm -2.6 in	-67.0 mm -2.6 in
F BB HEIGHT	272.0 mm 10.7 in	272.0 mm 10.7 in	272.0 mm 10.7 in	272.0 mm 10.7 in	272.0 mm 10.7 in	272.0 mm 10.7 in	272.0 mm 10.7 in
G WHEEL BASE	972.0 mm 38.3 in	978.0 mm 38.5 in	980.1 mm 38.6 in	987.0 mm 38.9 in	994.2 mm 39.1 in	1002.9 mm 39.5 in	1012.0 mm 39.8 in
H BB CENTER TO TOPTUBE CENTER	410.0 mm 16.1 in	430.0 mm 16.9 in	460.0 mm 18.1 in	480.0 mm 18.9 in	500.0 mm 19.7 in	520.0 mm 20.5 in	550.0 mm 21.7 in
I BB CENTER TO TOP OF SEATTUBE	455.0 mm 17.9 in	475.0 mm 18.7 in	505.0 mm 19.9 in	525.0 mm 20.7 in	545.0 mm 21.5 in	565.0 mm 22.2 in	596.0 mm 23.5 in
J SEAT ANGLE	74.5°	74.5°	74.0°	73.6°	73.3°	73.0°	72.5°
K CHAINSTAY	405.0 mm 15.9 in	405.0 mm 15.9 in	405.0 mm 15.9 in	405.0 mm 15.9 in	405.0 mm 15.9 in	405.0 mm 15.9 in	405.0 mm 15.9 in
L REACH	370.6 mm 14.6 in	378.8 mm 14.9 in	384.0 mm 15.1 in	388.9 mm 15.3 in	394.5 mm 15.5 in	400.1 mm 15.8 in	403.4 mm 15.9 in
M STACK	502.6 mm 19.8 in	509.0 mm 20.0 in	526.7 mm 20.7 in	547.5 mm 21.6 in	568.3 mm 22.4 in	588.5 mm 23.2 in	607.7 mm 23.9 in
N STEM LENGTH	80.0 mm 3.1 in	90.0 mm 3.5 in	100.0 mm 3.9 in	110.0 mm 4.3 in	110.0 mm 4.3 in	120.0 mm 4.7 in	120.0 mm 4.7 in

ADDICT GRAVEL	XS/49	S/52	M/54	L/56	XL/58
A HEAD TUBE ANGLE	70.0°	70.0°	71.0°	71.0°	71.0°
B HEAD TUBE LENGTH	95.0 mm 3.7 in	120.0 mm 4.7 in	140.0 mm 5.5 in	160.0 mm 6.3 in	180.0 mm 7.1 in
C TOP TUBE HORIZONTAL	505.0 mm 19.9 in	525.0 mm 20.7 in	545.0 mm 21.5 in	568.0 mm 22.4 in	590.0 mm 23.2 in
D STANDOVER HEIGHT	749.8 mm 29.5 in	775.7 mm 30.5 in	796.2 mm 31.3 in	814.1 mm 32.1 in	832.0 mm 32.8 in
E BB OFFSET	-68.0 mm -2.7 in	-68.0 mm -2.7 in	-68.0 mm -2.7 in	-68.0 mm -2.7 in	-68.0 mm -2.7 in
F BB HEIGHT	281.0 mm 11.1 in	281.0 mm 11.1 in	281.0 mm 11.1 in	281.0 mm 11.1 in	281.0 mm 11.1 in
G WHEEL BASE	984.0 mm 38.7 in	1,002.0 mm 39.4 in	1,017.0 mm 40.0 in	1,043.0 mm 41.1 in	1,056.0 mm 41.6 in
H BB CENTER TO TOPTUBE CENTER	431.5 mm 17.0 in	462.7 mm 18.2 in	483.0 mm 19.0 in	503.2 mm 19.8 in	523.3 mm 20.6 in
I BB CENTER TO TOP OF SEATTUBE	490.0 mm 19.3 in	520.0 mm 20.5 in	540.0 mm 21.3 in	560.0 mm 22.0 in	580.0 mm 22.8 in
J SEAT ANGLE	74.5°	74.0°	73.5°	73.0°	73.0°
K CHAINSTAY	422.0 mm 16.6 in	422.0 mm 16.6 in	422.0 mm 16.6 in	422.0 mm 16.6 in	422.0 mm 16.6 in
L REACH	360.0 mm 14.2 in	369.0 mm 14.5 in	378.0 mm 14.9 in	390.0 mm 15.4 in	405.0 mm 15.9 in
M STACK	521.8 mm 20.5 in	545.5 mm 21.5 in	564.4 mm 22.2 in	583.3 mm 23.0 in	602.2 mm 23.7 in
N STEM LENGTH	90.0 mm 3.5 in	100.0 mm 3.9 in	110.0 mm 4.3 in	120.0 mm 4.7 in	120.0 mm 4.7 in
O TRAIL					

ADDICT CX	XS/49	S/52	M/54	L/56	XL/58
A HEAD TUBE ANGLE	70.0°	70.0°	71.0°	71.0°	71.0°
B HEAD TUBE LENGTH	95.0 mm 3.7 in	120.0 mm 4.7 in	140.0 mm 5.5 in	160.0 mm 6.3 in	180.0 mm 7.1 in
C TOP TUBE HORIZONTAL	505.0 mm 19.9 in	525.0 mm 20.7 in	545.0 mm 21.5 in	568.0 mm 22.4 in	590.0 mm 23.2 in
D STANDOVER HEIGHT	749.8 mm 29.5 in	775.7 mm 30.5 in	796.2 mm 31.3 in	814.1 mm 32.1 in	832.0 mm 32.8 in
E BB OFFSET	-68.0 mm -2.7 in	-68.0 mm -2.7 in	-68.0 mm -2.7 in	-68.0 mm -2.7 in	-68.0 mm -2.7 in
F BB HEIGHT	281.0 mm 11.1 in	281.0 mm 11.1 in	281.0 mm 11.1 in	281.0 mm 11.1 in	281.0 mm 11.1 in
G WHEEL BASE	984.0 mm 38.7 in	1,002.0 mm 39.4 in	1,017.0 mm 40.0 in	1,043.0 mm 41.1 in	1,056.0 mm 41.6 in
H BB CENTER TO TOPTUBE CENTER	431.5 mm 17.0 in	462.7 mm 18.2 in	483.0 mm 19.0 in	503.2 mm 19.8 in	523.3 mm 20.6 in
I BB CENTER TO TOP OF SEATTUBE	490.0 mm 19.3 in	520.0 mm 20.5 in	540.0 mm 21.3 in	560.0 mm 22.0 in	580.0 mm 22.8 in
J SEAT ANGLE	74.5°	74.0°	73.5°	73.0°	73.0°
K CHAINSTAY	422.0 mm 16.6 in	422.0 mm 16.6 in	422.0 mm 16.6 in	422.0 mm 16.6 in	422.0 mm 16.6 in
L REACH	360.0 mm 14.2 in	369.0 mm 14.5 in	378.0 mm 14.9 in	390.0 mm 15.4 in	405.0 mm 15.9 in
M STACK	521.8 mm 20.5 in	545.5 mm 21.5 in	564.4 mm 22.2 in	583.3 mm 23.0 in	602.2 mm 23.7 in
N STEM LENGTH	90.0 mm 3.5 in	100.0 mm 3.9 in	110.0 mm 4.3 in	120.0 mm 4.7 in	120.0 mm 4.7 in
O TRAIL					

## GENERAL FEATURES

### ADDICT DISC

The all new Addict Disc comes with all the great features of the Addict, but is now equipped with disc brakes to create a lightning fast climber that performs at its best in ALL weather conditions.

### ADDICT GRAVEL

The Addict Gravel Disc has been set up to allow you to ride any road, anywhere and in any weather conditions. To give you a rig that will let you get your adventure on, no matter what.

### ADDICT CX

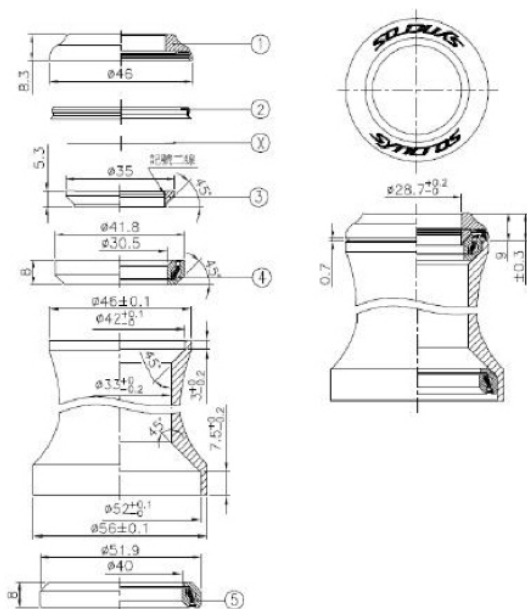
The Addict CX is back, and it's fitter than ever. We have embraced our lightweight obsession to create a state of the art Cyclo-Cross bike that features excellent stiffness values combined with race-driven geometry for immediate power transfer, direct handling, A-level integration and a handful of unexpected extras while maintaining an incredibly low weight.

## HEADSET OPTIONS

The Addict Disc/Gravel/CX features a tapered head tube and fork system.

The fork steerer is a 1 1/8" to 1 1/2".

241901 Headset Syncros Drop-In 1-1/8" - 1-1/2"



## SEAT POST/CLAMP

The diameter of the seat post is 27.2mm. Please be aware to just use seat clamps with the size of 30.2mm which fit the frame.

235429 Seatclamp 30.2mm bolt Addict MY14



## BB STANDARDS/FD MOUNTING DETAILS

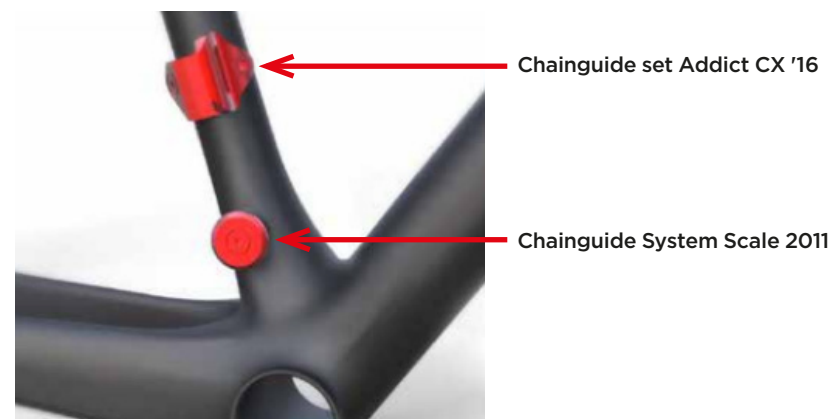
The Addict Disc/Gravel/CX is constructed with a Shimano press fit 86 bottom bracket. The diameter of the cartridge is 41mm

The chain guide from the two-by shifting system is the same as the one from the SCOTT Scale # 219578, for the front derailleur (FD) hanger use the part# 242435

219578 Chainguide System Scale 2011

242435 Chainguide set Addict CX '16

In case of a one-by shifting system the chain catcher is included in the same kit as the FD hanger. Part# 242435



242435 Chainguide set Addict CX '16



## RD HANGER

The Addict Disc/Gravel/CX uses the same design as the Solace Disc, so the derailleur hanger is interchangeable.

239530 Dropout hanger Solace Disc '15<



Dropout hanger Solace Disc '15<

## REAR BRAKE MOUNT

The front and rear brake mount on the Addict Disc/Gravel/CX is the new Shimano flat standard.

The brake mount is as well compatible with the post mount standard. In this case it's essential to use an appropriate adapter.



## AXIS STANDARDS

To improve the stiffness, the Addict Disc/Gravel/CX has some threaded through axis in the front and rear.

Front:

- 12mm through axle
- pitch 1.5mm
- 100mm hub



The front axle is a 100mm x 12mm

242431 Axle RWS Front Road Disc >16 / Ø12MM

Rear:

- 12mm through axle
- pitch 1.5mm
- 142mm hub



The rear axle is a 142mm x 12mm axle

239528 Axle 12mm rear Solace Disc '15

## CABLE ROUTING

The Addict Disc/Gravel/CX features a total internal cable routing and is compatible with every common shifting system. Whatever shifting system is installed on the bike, there is one replacement kit which includes every necessary part.

242433 Cable fixing set Addict CX '16

## WARRANTY

Model .....

Year .....

Size .....

Frame Nr. ....

Shock Nr. ....

Date of purchase .....

## WARRANTY

SCOTT bikes are made using the most innovative production and quality methods. They are equipped with best components of well known parts suppliers.

Doing so SCOTT warrants its frames and swingarms for five years (subject to compliance with maintenance ranges, see below) and SCOTT forks (provided it is a fork of SCOTT) for two years for defects in material and/or workmanship in case of purchase of completely assembled bikes.

This warranty of 5 years for the frames shall only be granted in case once a year a maintenance service has been effected according to maintenance requirements as set forth in this manual by an authorised SCOTT dealer.

The authorised SCOTT dealer shall confirm the effected annual maintenance service by stamp and signature.

In case such an annual maintenance service has not been effected the warranty of 5 years for the frame shall be reduced to 3 years.

Costs for maintenance and service have to be born by the owner of the SCOTT bike.

On Gambler, Voltage Fr and Volt-X the warranty period is limited to 2 years.

The warranty period starts at the day of purchase. This warranty is limited to the first buyer, what means the first person who uses the bike and only with the use it was made for. Furthermore, this warranty is limited to purchases via authorized SCOTT-dealers

The warranty is solely granted in case of purchase of a completely assembled bike to the explicit exclusion of purchases of not completely assembled bikes.

In case of a warranty claim the decision to repair or to replace the defective part is up to SCOTT. Non defective parts will only be replaced at the guarantee's own expense.

Fair wear and tear is not covered by the warranty.

A complete list of all parts of wear and tear can be found in the next chapter of this manual.

In addition, you will find at the end of this manual a protocol for the handing over of the bike which will remain in copy at the SCOTT dealer after acceptance and signature of the consumer.

It is obligatory to show this protocol of handing over together with the defective part in case of a warranty claim given that it provides evidence of purchase. Otherwise no warranty is granted.

In principle, this warranty is granted worldwide. Claims must be made through an authorized dealer, for information regarding the nearest dealer, write or call this company or the national SCOTT distributor.

Normal wear, accident, neglect, abuse, improper assembly, improper maintenance by other than an authorized dealer or use of parts or devices not consistent with the use originally intended for the bicycle as sold are not covered by this warranty.

Hereby SCOTT grants a voluntarily manufacturer's warranty. Additional entitlements according to national warrant of merchantability are reserved.

For warranty info on the Fox Nude shock please refer to the attached manual of Fox Nude.